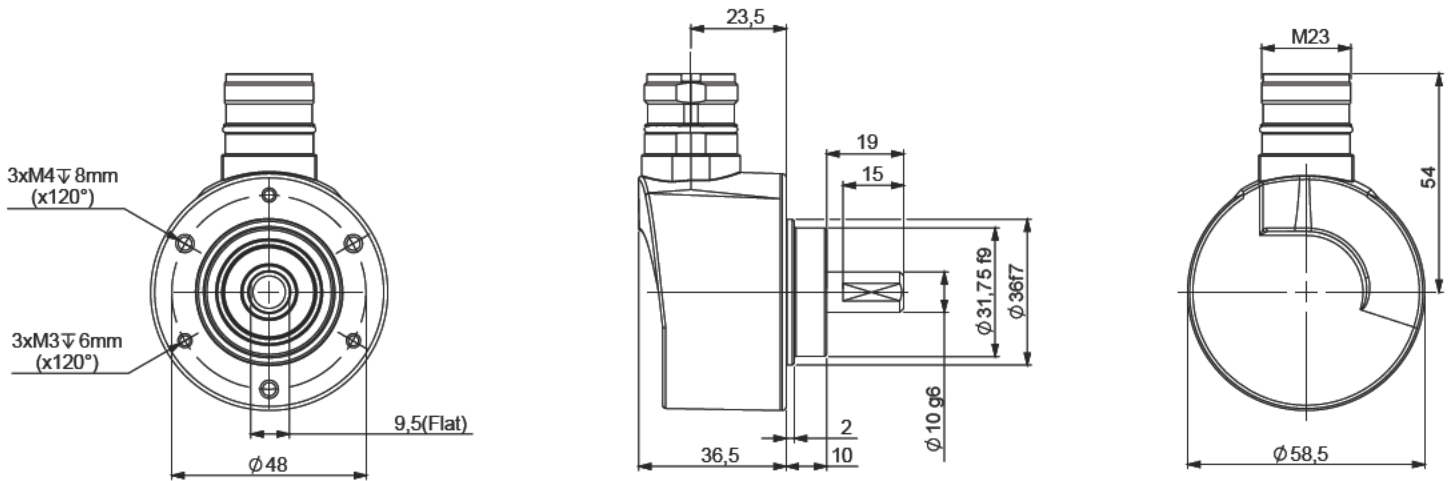




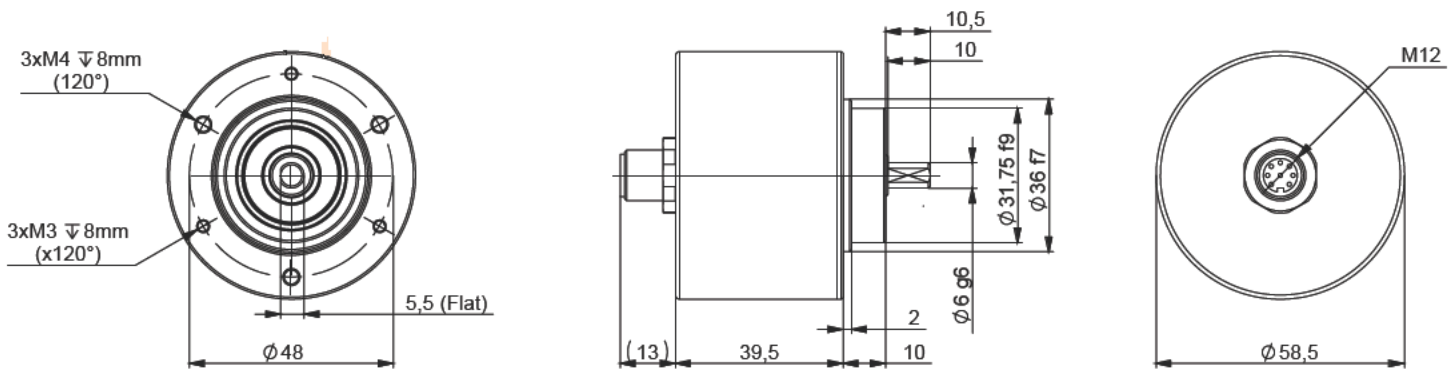
## DIMENSIONS

All dimensions are in millimeters.

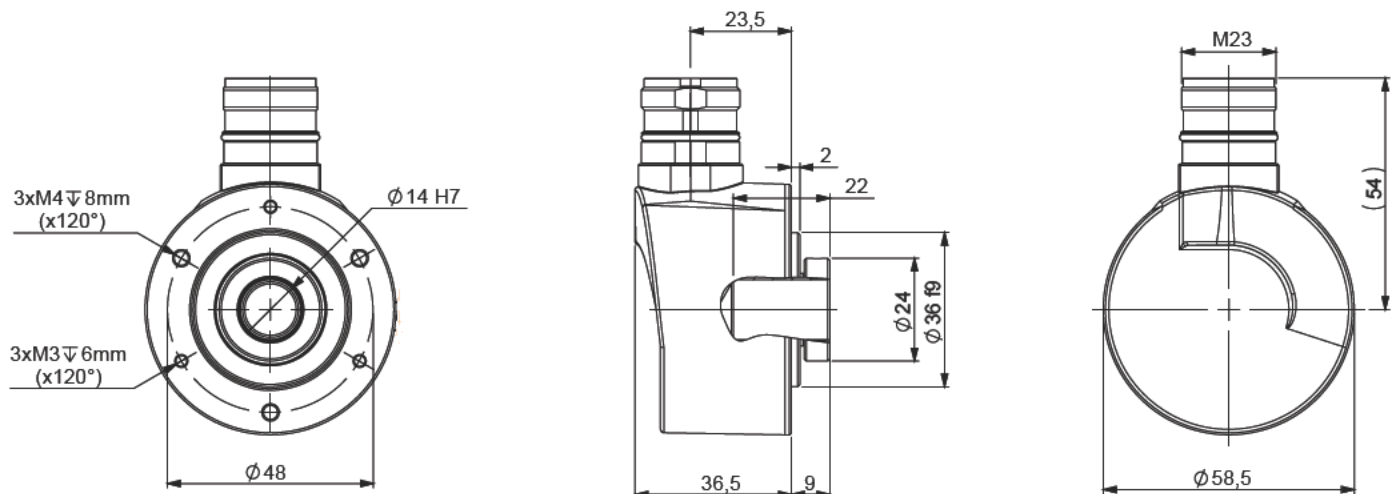
### DHM5\_10 Connection G6R (Radial M23)



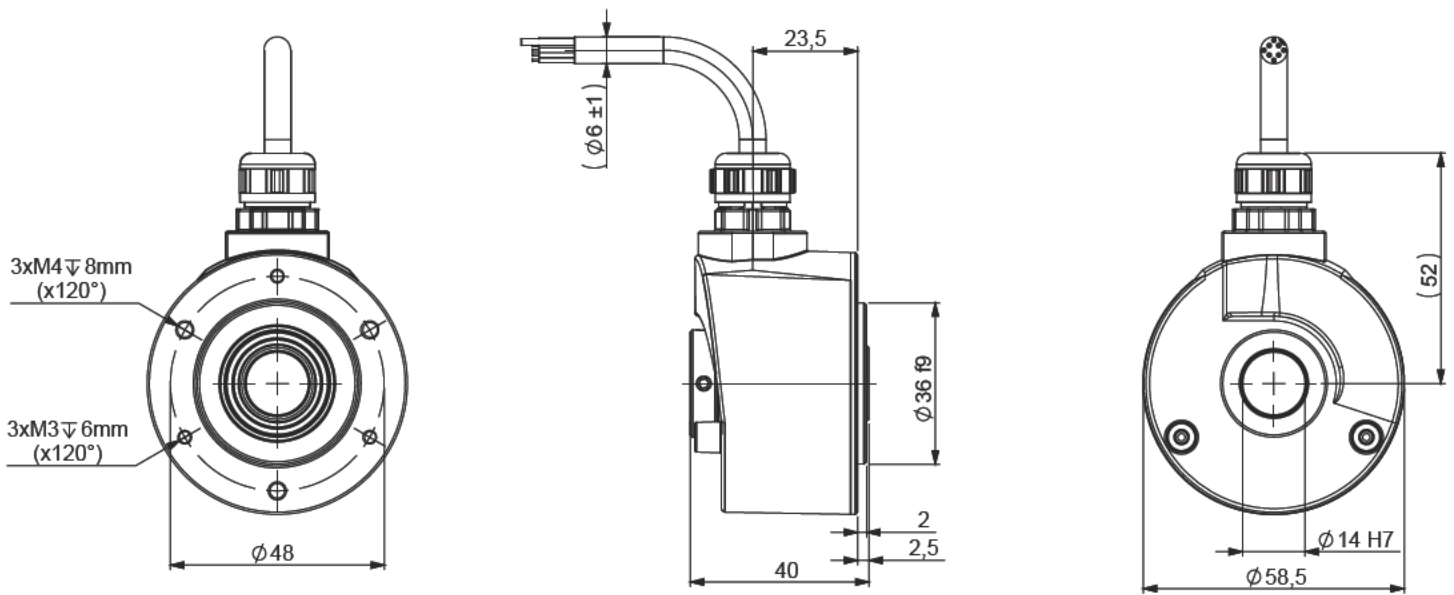
### DHM5\_06 Connection GMA (Axial M12)



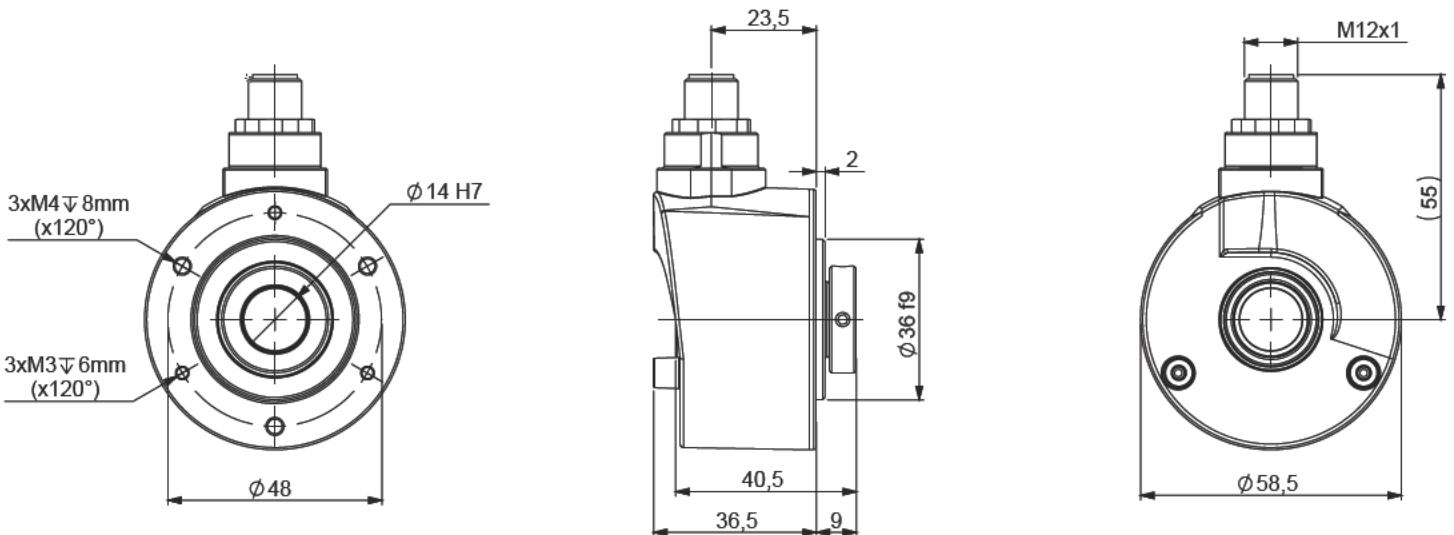
### DHK5\_14 Connection G6R (Radial M23)



## DH05\_14 Standard clamping, Connection G3R (Radial Cable)

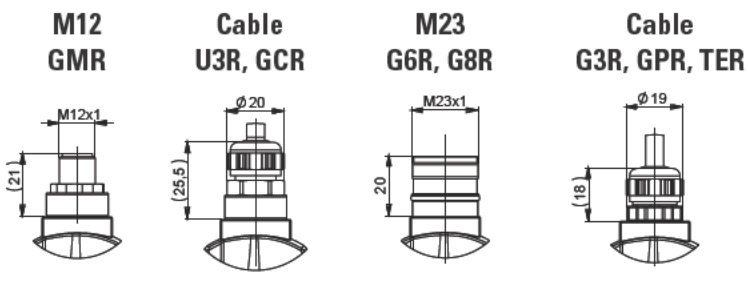


## DH05S14/OM/ Flange side clamping, Connection GMR (Radial M12)

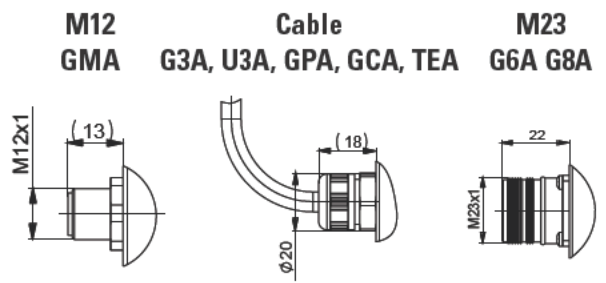


## CONNECTION DIMENSIONS

### Radial



### Axial

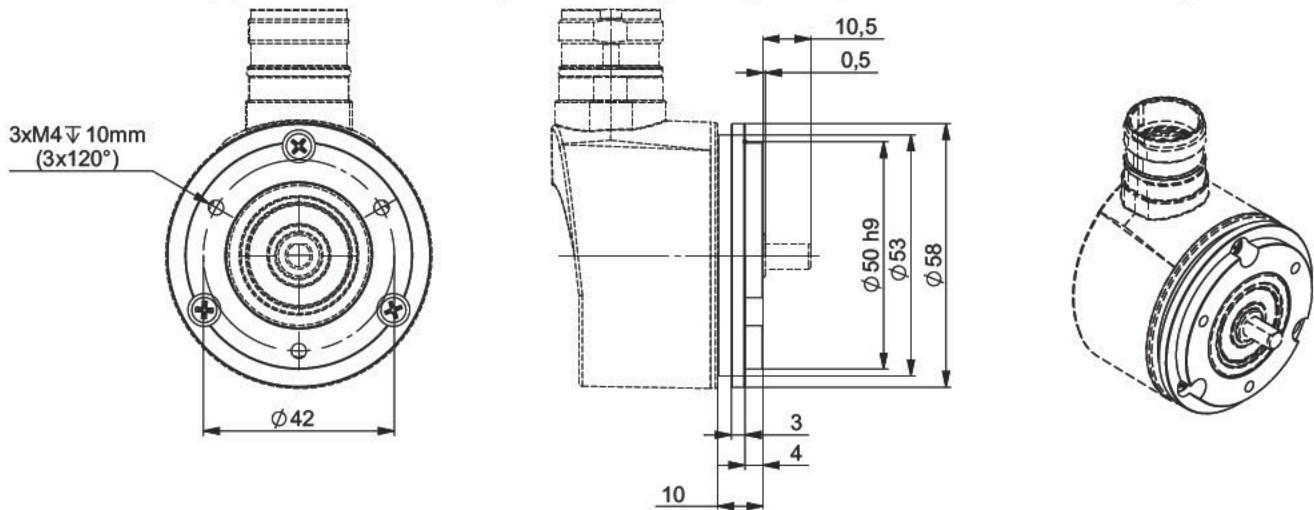




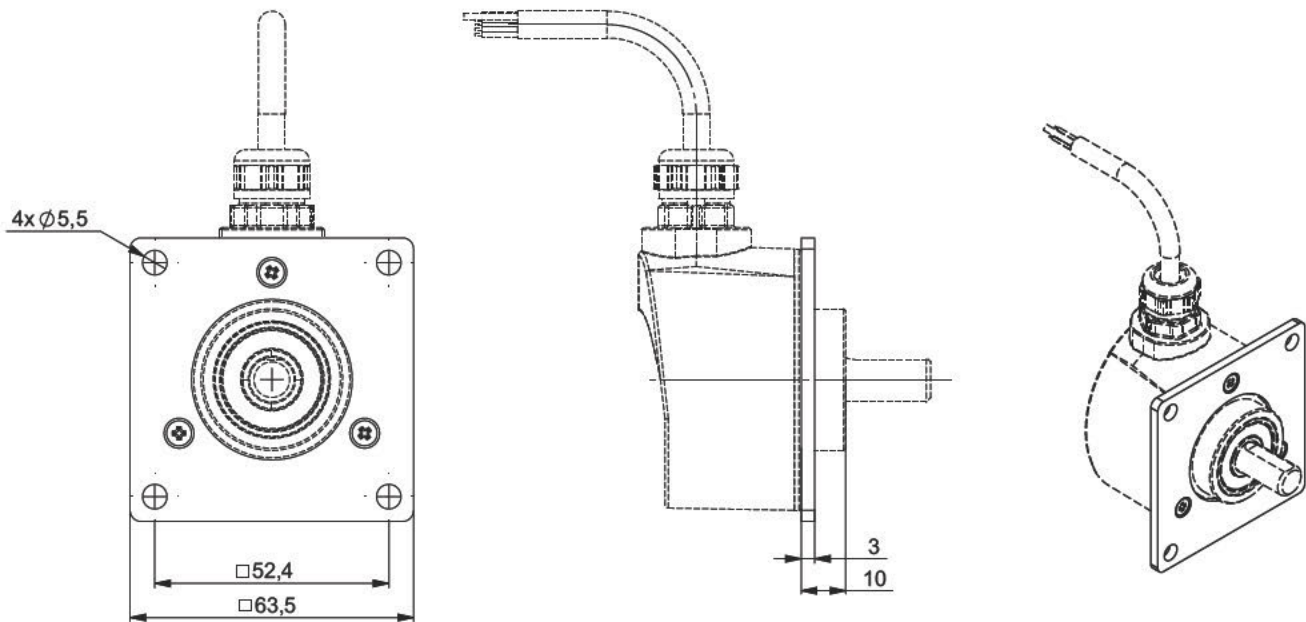
## FLANGE AND COUPLING INTERFACES

The flange or coupling configurations can be defined in the ordering options for being installed on encoder in factory.  
All flange or coupling kits can also be ordered separately (see accessories section).

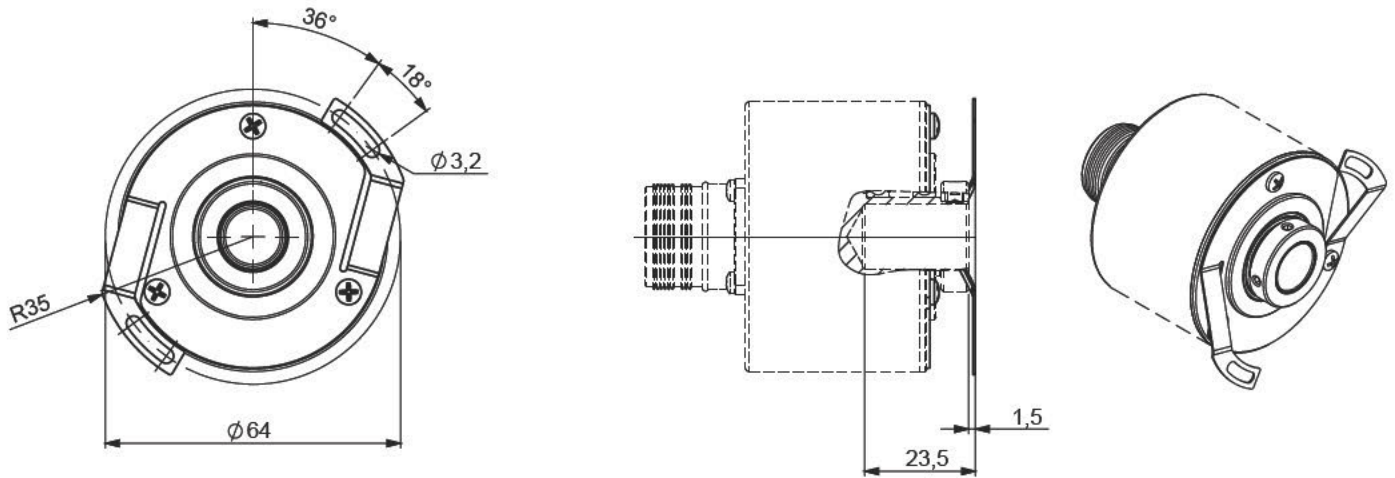
### DHM5\_06 Connection G6R (Radial M23), flange 9500/003 mounted on the body



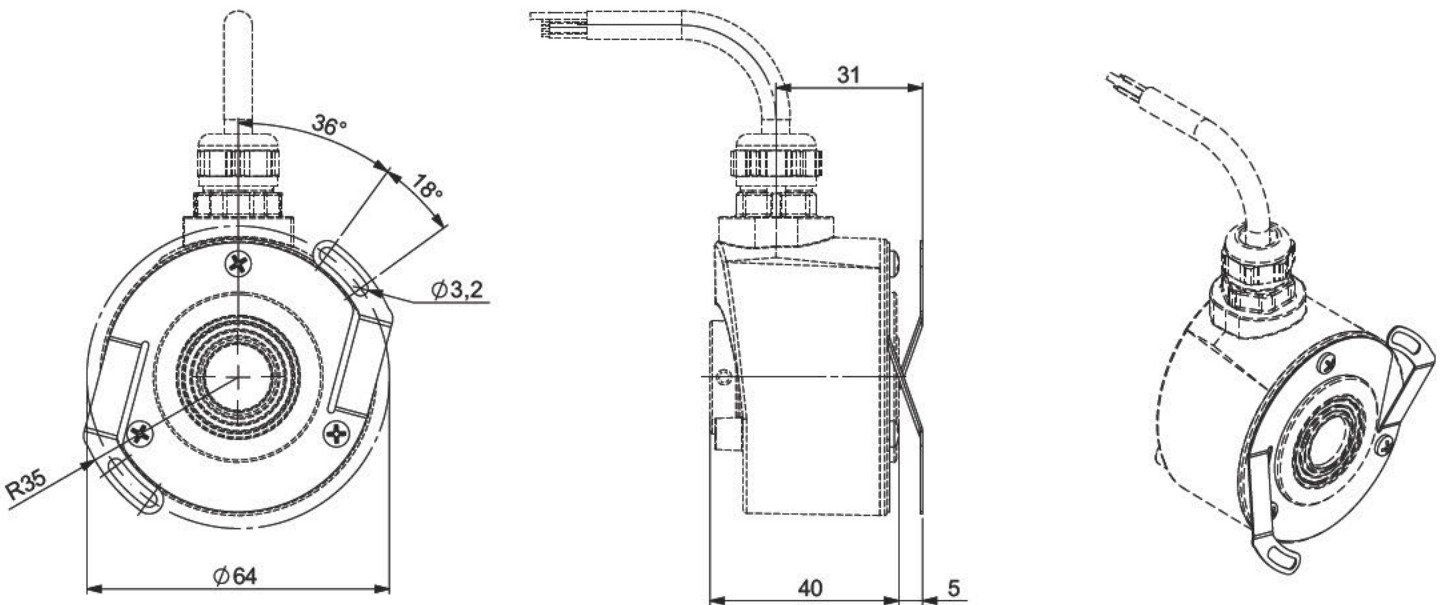
### DHM5\_10 Connection G3R (Radial cable), flange 9500/005 mounted on the body



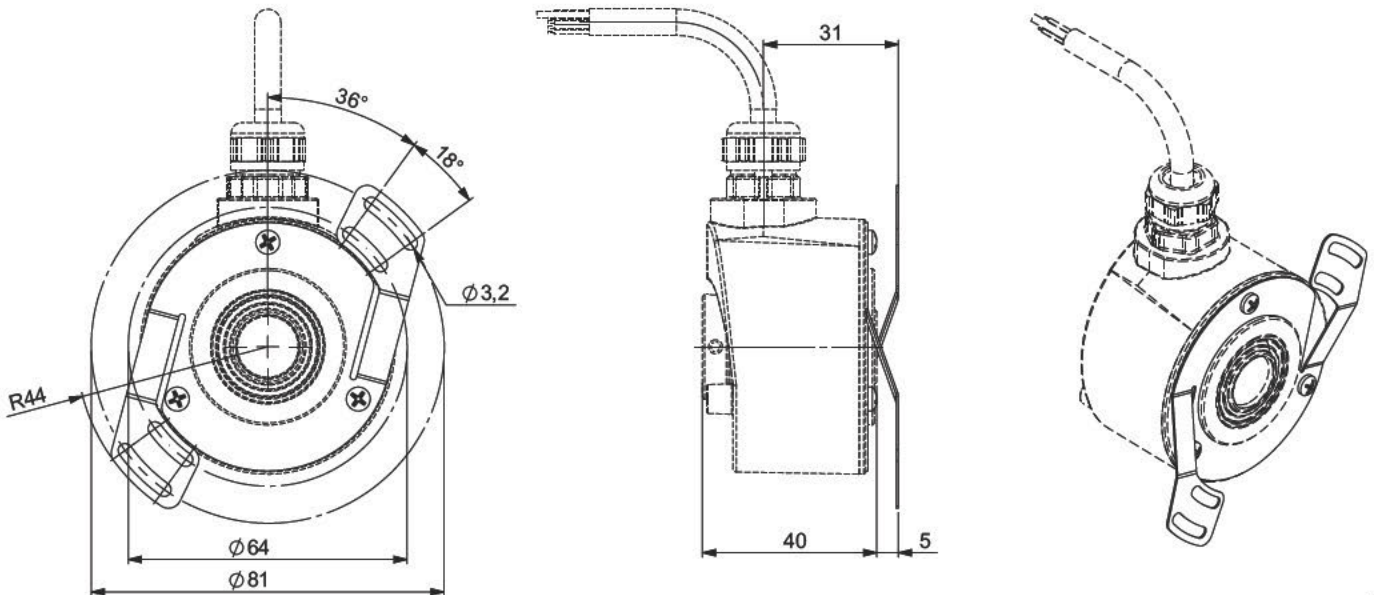
DHK5\_14 Connection G6A (Axial M23), coupling 9445/016 mounted on the body



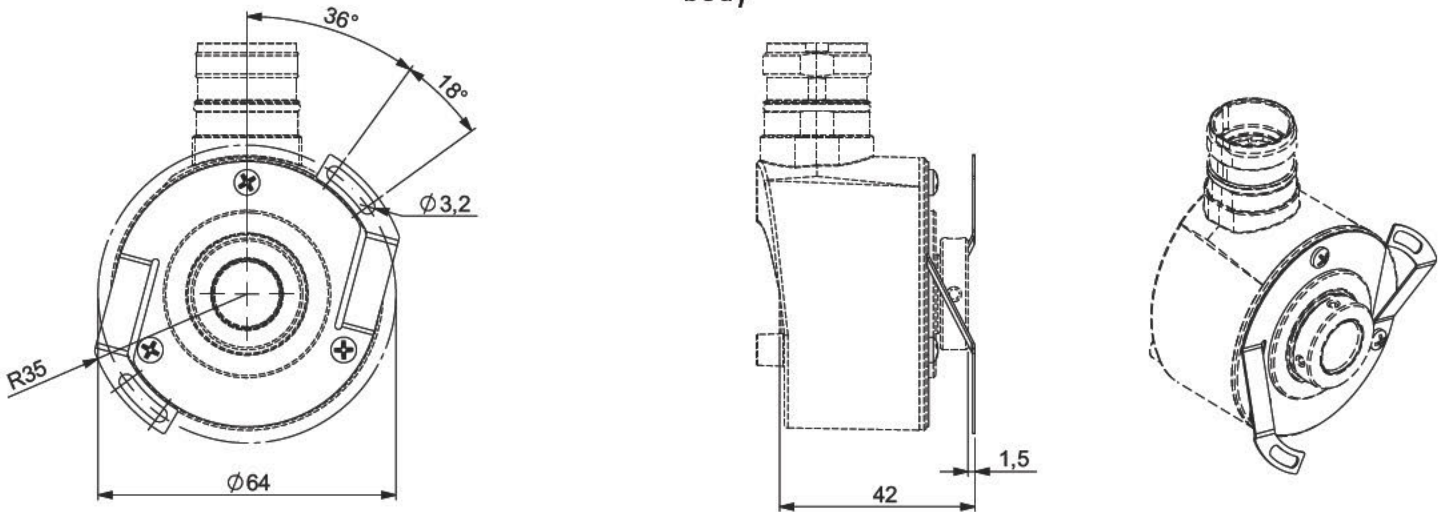
DH05\_14 Standard clamping, Connection G3R (Radial Cable), coupling 9445/012 mounted on the body



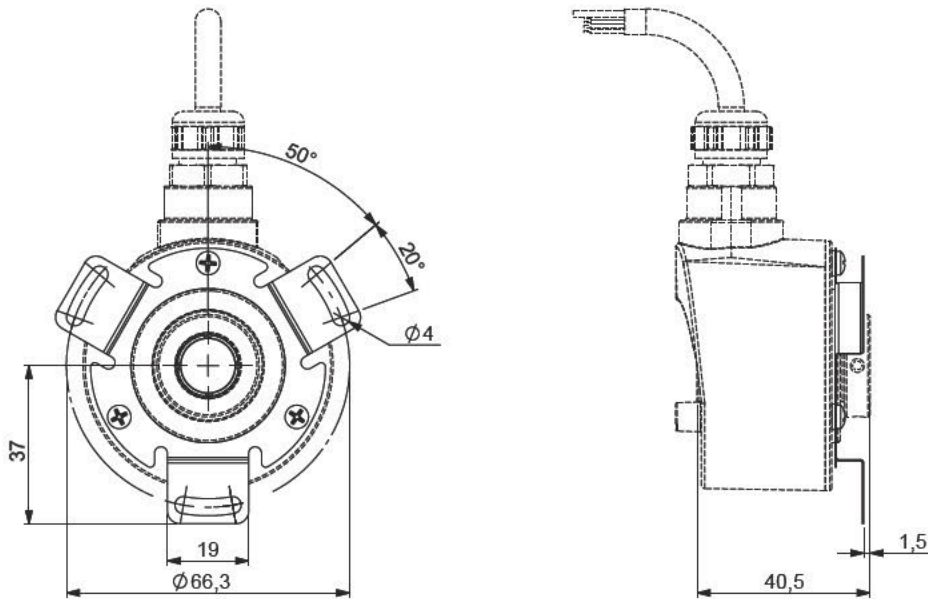
DH05\_14 Standard clamping, Connection G3R (Radial Cable), coupling 9445/015 mounted on the body



DH05S14/OM/ Flange side clamping, Connection G6R (Radial M23)", coupling 9445/016 mounted on the body



DH0514 Flange side clamping, Connection U3R (Radial cable), coupling 9445/068 mounted on the body



Note: 9445/068 coupling is available for replacing the previous HS22 model.

**GENERAL NOTES**

*For an optimized installation meeting industrial standards, refer to the Instructions Manual. The Instructions Manual provides the technical information (drawings, electrical data, etc...) for a proper integration.*

**AGENCY APPROVALS & CERTIFICATIONS**

